

PANEL MOUNTED STRAINER



THE TRIDENT PANEL STRAINER IS IDEAL FOR USE WITH FOAM OR WATER. PANEL MOUNTING MAKES IT EASY TO ACCESS THE STRAINER ELEMENT FOR CLEANING. FOUR BOLTS MOUNT THE STRAINER SECURELY TO ANY PANEL. COMES COMPLETE WITH 2" CHROME PLATED CAP AND ATTACHMENT CHAIN. SPECIFY MESH FOR FOAM OR WATER.

TRIDENT
EMERGENCY PRODUCTS, LLC

**Tomorrow's Ideas
Delivered Today**

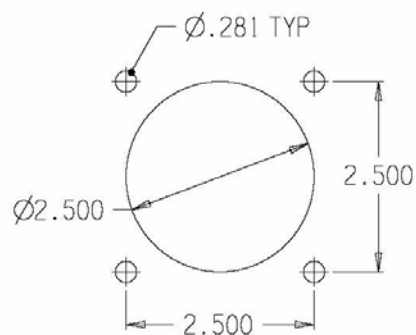
STRAINER FEATURES:

- ▶ BRASS BODY
- ▶ STAINLESS STEEL MESH
- ▶ CHROME PLTD. 2" CAP
- ▶ 1" FNPT IN & OUT PORTS
- ▶ 1/4" FNPT DRAIN/ FLUSH
- ▶ (4) 1/4-20 TAPPED HOLES
- ▶ TO 250 PSIG PRESSURE
- ▶ 10-MESH OR 20-MESH
- ▶ NFPA COMPLIANT

**TRIDENT EMERGENCY
PRODUCTS, LLC**
www.tridentdirect.com
PHONE: 215.293.0700
FAX: 215.293.0701



PANEL CUT-OUT



TRIDENT

DESCRIPTION

21.005.2

2" STRAINER W/ 10-MESH ELEMENT

21.005.3

2" STRAINER W/ 20-MESH ELEMENT